

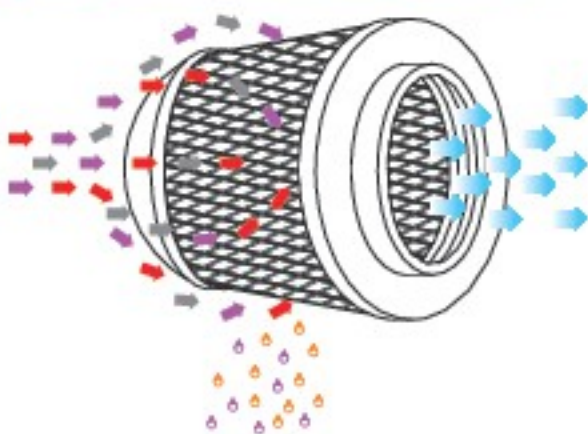
# OIL MIST AIR CLEANER

**KOTON**  
TECHNOLOGIES  
可騰精密工業



## Stay Clean & Green

Clean Air - Healthy Work Environment - Low Carbon Footprint

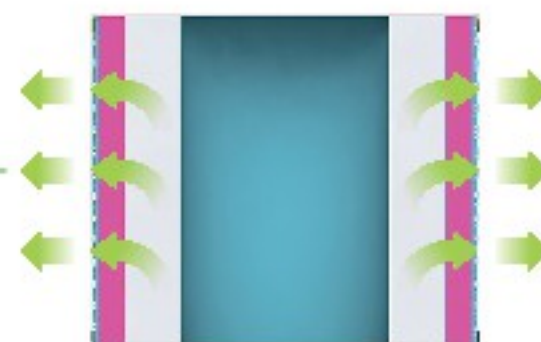


### Pre-Filtration System

- Effective, low-drag pre-filter for air/oil separation
- Separates oil droplets from the air and returns 95% of the oil to the machine
- Stainless and washable



- Unique fan design and efficient, compact motor reduce energy consumption



### High-Efficiency Air Filter

- European E11 HEPA-Standard
- Cylindrical, multi-layer design with increased filter surface area
- High density micro-fine fiberglass elements
- Efficiently removes up to 99.5% of PM2.5 particles
- Tool-free filter change

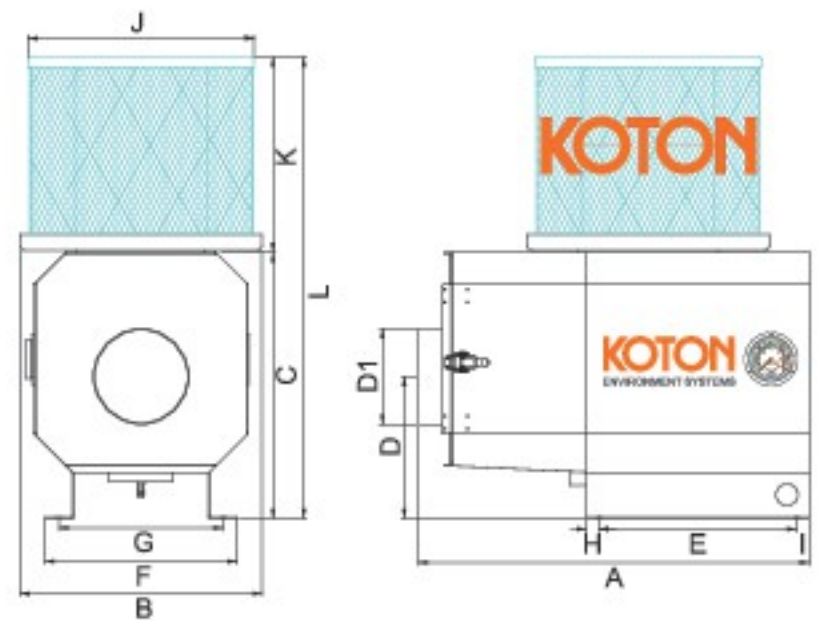
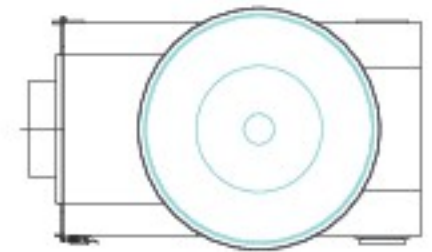


# OIL MIST AIR CLEANER



## FEATURES

- Suitable for a wide range of oil mist generating machines.
- Compact design. Easy to install, even in small factories with constricted room.
- Significantly improves the air quality in your workplace, raising labor productivity.
- Pre-filter features annular folded design for increased absorbing power.
- Effectively separates air and oil from oil mist.
- High efficiency: absorbs up to 99.5% of 0.3µm particles.
- Returns 95% of the collected oil to the machine for re-use.
- Removes toxic gas generated from metal cutting and other machining operations.
- EU standard E11 filter allows for up to 99.5% PM 2.5 particle removal.
- Low-noise. Easy to clean. Energy-efficient. Eco-friendly.



MODEL	Power Source	Output	Maximum Flow rate m <sup>3</sup> /min	Static Pressure kap	Operating Noise dp(A)	Collection Efficiency	Weight Kg	Suction Inlet Diameter	Air Volume
<b>KF-6E</b>	3-Phase	0.1 KW	6/8.5	0.52/0.92	63/66	Up to	38	Ø 125	≤ 3m <sup>3</sup>
<b>KF-10E</b>	AC380V	0.2 KW	9/12.8	0.75/1.13	64/67	99.5%	41	Ø 150	≤ 5m <sup>3</sup>
<b>KF-20E</b>	or AC220V	0.4 KW	18/21.5	1.08/1.74	65/68	EU	46	Ø 150	≤ 10m <sup>3</sup>
<b>KF-30E</b>	50/60HZ	0.75 KW	28/32.5	1.42/1.82	68/73	E11 Class	63	Ø 198	≤ 18m <sup>3</sup>

MODEL	A	B	C	D	D1	E	F	G	H	I	J	K	L
<b>KF-6E</b>	609	350	417	223	125	295	302	258	25	25	Ø330	310	727
<b>KF-10E</b>	609	380	417	223	150	295	302	258	25	25	Ø360	310	727
<b>KF-20E</b>	633	380	446	236	150	310	327	283	25	25	Ø360	410	856
<b>KF-30E</b>	749	438	512	278	198	363	387	337	30	30	Ø435	410	922

**KONTEC PRECISION INDUSTRIAL CO., LTD.**      [www.koton.com.tw](http://www.koton.com.tw) | [koton@koton.com.tw](mailto:koton@koton.com.tw)

No.8, Aly. 5, Ln. 280, Xizhou Rd., Shengang Dist., Taichung City 429, Taiwan | Tel: +886-4-2562-0557 | Fax: +886-4-2562-0267